



DMS-BZL Series bezel assemblies provide a secure, cosmetically-pleasing method for panel mounting all DMS-20, DMS-30, and DMS-40 digital panel meters. Four bezel assemblies are available: DMS-BZL1-C and DMS-BZL2-C (with sealing gasket) for all DMS-30 and DMS-40 Series meters; and DMS-BZL3-C and DMS-BZL4-C (with sealing gasket) for all DMS-20 Series meters. All four bezels are made from rugged, black ABS plastic and are supplied with threaded metallic screws and inserts, ensuring a secure, vibration-resistant installation. Please refer to the individual product data sheets and Application Note 16, titled 'Typical Meter Installations', for more information.

### MECHANICAL SPECIFICATIONS

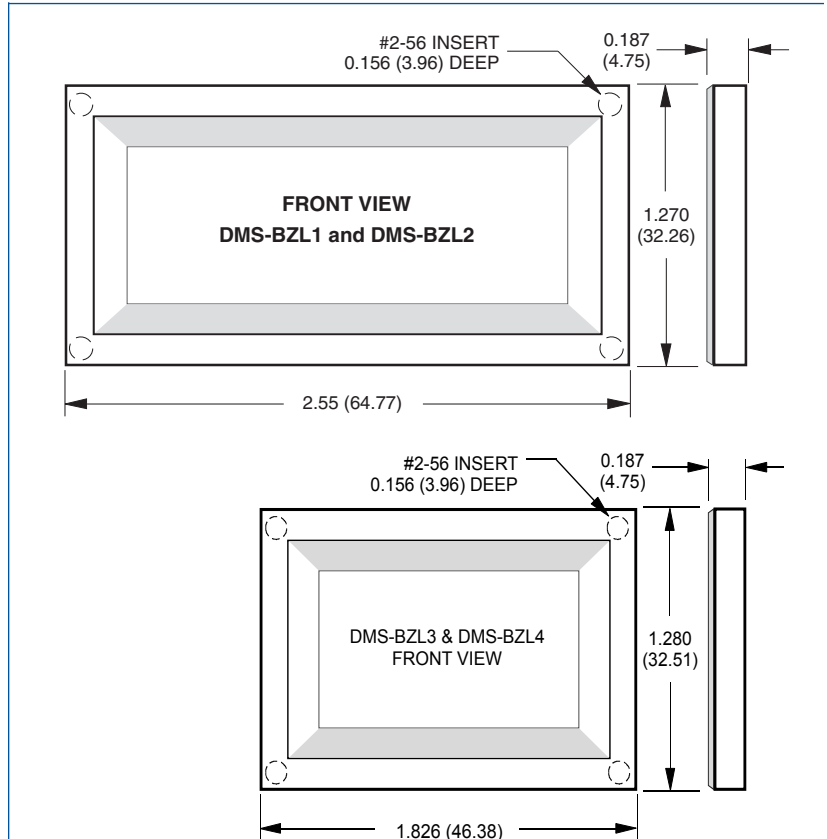
**Material:** UL 94V-0 ABS black plastic with four #2-56 threaded brass inserts  
**Screws:** #2-56 thread, stainless steel, 0.187(4.75)  
**Screw Torque-Rating:** 15 to 20 ozf-in (0.106 to 0.140 N-m)  
**Max. Panel Thickness\*:** 0.090(2.29) with supplied screws  
**Operating Temperature:** -40 to +75°C

\* All four DMS-BZL Series bezel assemblies can be installed in panels up to 0.090 inches thick (2.29mm) with the factory supplied screws. Thicker panels can be accommodated by using longer user-supplied screws, which, when installed, do not exceed the brass insert's 0.156-inch (3.96mm) thread depth. Please note DMS brass retaining clips (supplied at no charge with most standard DMS Series meters) can not be used with DMS-BZL Series bezels.

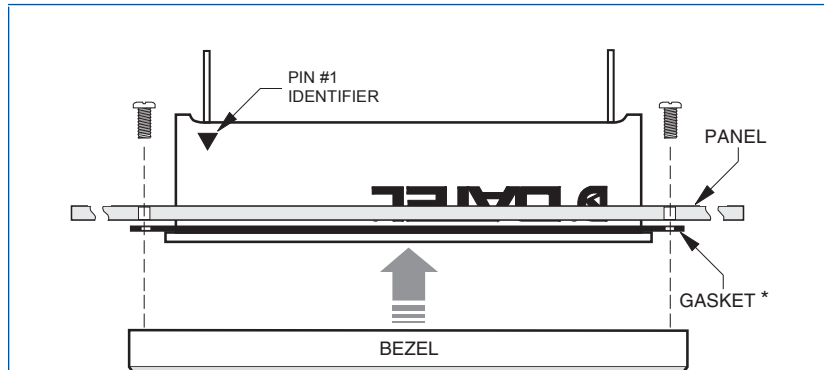
### ORDERING INFORMATION

**DMS-BZL1-C** DMS-30/40 bezel assembly  
**DMS-BZL2-C** DMS-30/40 bezel assembly with EPDM rubber gasket  
**DMS-BZL3-C** DMS-20 bezel assembly  
**DMS-BZL4-C** DMS-20 bezel assembly with EPDM rubber gasket

### BEZEL DIMENSIONS



### BEZEL INSTALLATION



\*Sealing gasket is optional on DMS-BZL2-C and DMS-BZL4-C



**RECOMMENDED DRILL AND PANEL CUTOUT**

**Inches (mm) tolerances:**

2 PL Dec. ±0.02 (±0.51) 3PL DEC ±0.010 (±0.254)

